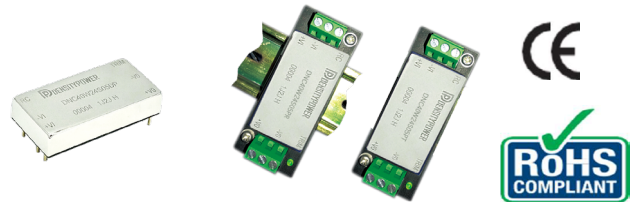


FEATURES

- Outstanding thermal performance, deliver full power @ 85°C ambient temperature with natural convection cooling
- 4 :1 wide input range: 9-36VDC
- Single output: 3.3, 5, 12, 15, 24 Volts DC
- Operation temperature: -40°C to +115°C (Case temperature)
- 40W isolated output
- Efficiency up to 92%
- Fixed switching frequency
- Six sides shielding, outstanding EMC performance
- 2.25kVDC I/O isolation
- Standard 2"×1"×0.4" footprint, Din-rail & wall mount type options
- Extensive self-protection, UVLO, OTP, OVP, OCP and short-circuit protection
- Fully encapsulated, high reliability
- MTBF ≥ 1 MHrs
- Compliance with RoHS



PRODUCT OVERVIEW

The DNC40W24 series are highly reliable, and efficient isolated DC/DC converter. Wide input range of 9-36V(24V nominal) is ideal for automation, power grid, railway, semiconductor equipment, instrumentation, test and measurement, and distribution power system.

A wealth of self-protection features included input under-voltage lockout, overcurrent protection with "hiccup" autorestart technique, provides short-circuit protection, along with output OVP.

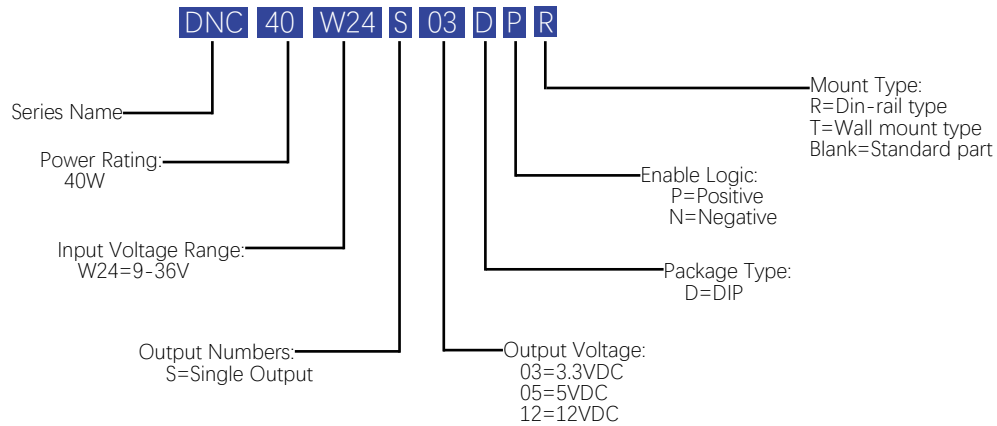
Advanced fully encapsulated package technology provides outstanding thermal performance, the case temperature is up to 115 °C , and deliver full power at 85°C with natural convection cooling, which is ideal for ruggedized applications involving harsh and natural convection cooling which require high operating ambient temperatrue environments.

The DNC40W24 series are designed to safety standards UL62368-1.

Models Selections

Basic Models	Input Voltage [VDC]	Input Voltage Range [VDC]	Output Voltage [VDC]	Output Current [A]	Efficiency Typ. [%]	Capacitive Load Max. [μF]	Package [inch]
DNC40W24S03	24	9-36	3.3	12	91	8800	2"×1"×0.4" DIP
DNC40W24S05	24	9-36	5	8	92	8800	
DNC40W24S12	24	9-36	12	3.3	91	3300	
DNC40W24S15	24	9-36	15	2.66	91	2600	
DNC40W24S24	24	9-36	24	1.66	91	1300	

Model Numbering



Absolute Maximum Ratings

Parameters	Conditions	Min.	Typ.	Max.	Units
Input Voltage Continuous		-0.5		40	VDC
Input Voltage Transient	< 100ms			50	VDC
Operating Case Temperature		-40		115	°C
Operating Environment Temperature	Without derating	-40		85	°C
Storage Temperature Range		-55		125	°C
Soldering Temperature	Wave soldering < 10s			300	°C
Cooling	Free air convection				

Safety and EMC Compliance

Conducted Emission	EN55032	Class B (With external filter)			
Radiated Emission	EN55032	Class B (With external filter)			
Conducted Susceptibility	IEC6100-4-6	10Vrms Criteria A			
Radiated Susceptibility	IEC6100-4-3	20V/m Criteria A			
EFT	IEC6100-4-4	±2KV Criteria A (With external filter)			
Surge	IEC6100-4-5	±2KV Criteria A (With external filter)			
ESD	IEC6100-4-2	Contact: ±6KV Air: ±8KV Criteria A			
Isolation Safety Rating	Basic insulation				

Input Specifications

Parameters	Conditions	Min.	Typ.	Max.	Units
Operating Voltage Range		9	24	36	VDC
Start-up Threshold		7.5		9	VDC
Under Voltage Shutdown		7		8.5	VDC
Recommended Input Fuse			10		A

General Specifications					
Parameters	Conditions	Min.	Typ.	Max.	Units
On/Off Remote Control	Positive Logic, On state	Open or $2.5 \leq V_r \leq 15$			VDC
	Positive Logic, Off state	Short or $0 \leq V_r \leq 1.0$			VDC
	Negative Logic, On state	Short or $0 \leq V_r \leq 1.0$			VDC
	Negative Logic, Off state	Open or $2.5 \leq V_r \leq 15$			VDC
Remote Control Current			1.0	2.0	mA
Isolation Voltage (Test for 1 minute)	Input to output	2250			VDC
	Input to case	1600			VDC
	Output to case	1600			VDC
Isolation Resistance (Viso=500VDC)	Input to output		100		MΩ
Isolation Capacitance	Input to output		1000		pF
Switching Frequency			330		KHz
Start-up Delay	From undervoltage shutdown recovery to 10% Vout			30	mS
Rise Time	From 10% Vout to 90% Vout capacitive load			20	mS
Vibration	IEC 60068-2-64, Environmental testing - Part 2				
Shock (Operational)	IEC 60068-2-27, Environmental Testing- Part 2.27				

All specifications are tested at 25 °C ambient temperature, nominal input voltage, rated output current conditions unless otherwise specified.

Performance Data (3.3 Vout Model)

Input Specifications

Parameters	Conditions	Min.	Typ.	Max.	Units
Input Reflected Ripple Current	With filtering		100		mA pk-pk
Input Current @ No Load			40	100	mA
Input Current @ Min. Line			4.5	7	A
Power Loss @ No Load				2	W
Recommended External Input Capacitance	1 μ F CBB and 100 μ F E-cap used in combination		100		μ F

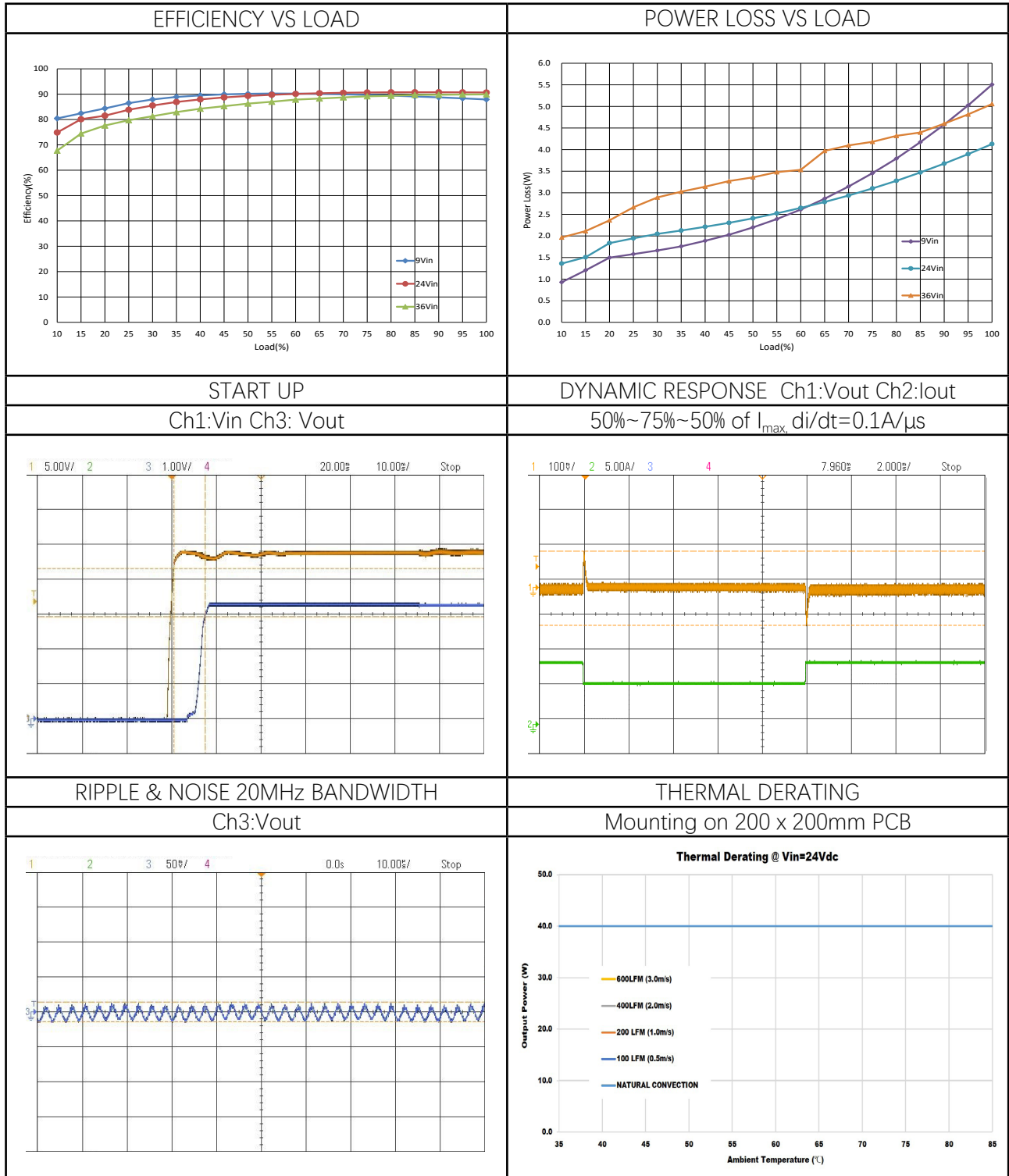
Output Specifications

Parameters	Conditions	Min.	Typ.	Max.	Units
Output Voltage Setpoint	Nom.line, 50% load	3.267	3.3	3.333	VDC
Vout Accuracy		-1		+1	%
Line Regulation	Vin from min. line to max. line, 50% load	-0.5		+0.5	%
Load Regulation	From min. load to full load, Vin=nom.line	-1		+1	%
Temperature Coefficient	From -40°C to 85°C			0.02	% of Vout /°C
Total Regulation		-3		+3	%
Over Current Protection	Hiccup, auto-recover	110		160	%
Over Voltage Protection	Hiccup, auto-recover	115		140	%
Output Short Protection	Hiccup, auto-recover				
Ripple & Noise Max. ^①				100	mV Pk-Pk
Dynamic Load Peak Deviation ^②		-5		+5	%Vout
Dynamic Load Response	within 10% band of Vout deviation			300	μ S
Capacitive Load		220		8800	μ F
Minimum Load	No minimum load required				

Notes

- ① Ripple & noise is tested with certain filter parameters, please see output ripple & noise in technical notes on page 16 for more details.
- ② Load is set from 50%-75%-50% of full load, di/dt=0.1A/ μ S, Cout=320 μ F.

Performance Data(3.3 Vout Model)



Performance Data (5 Vout Model)

Input Specifications

Parameters	Conditions	Min.	Typ.	Max.	Units
Input Reflected Ripple Current	With filtering		100		mA pk-pk
Input Current @ No Load			40	100	mA
Input Current @ Min. Line			4.5	7	A
Power Loss @ No Load				2	W
Recommended External Input Capacitance	1 μ F CBB and 100 μ F E-cap used in combination		100		μ F

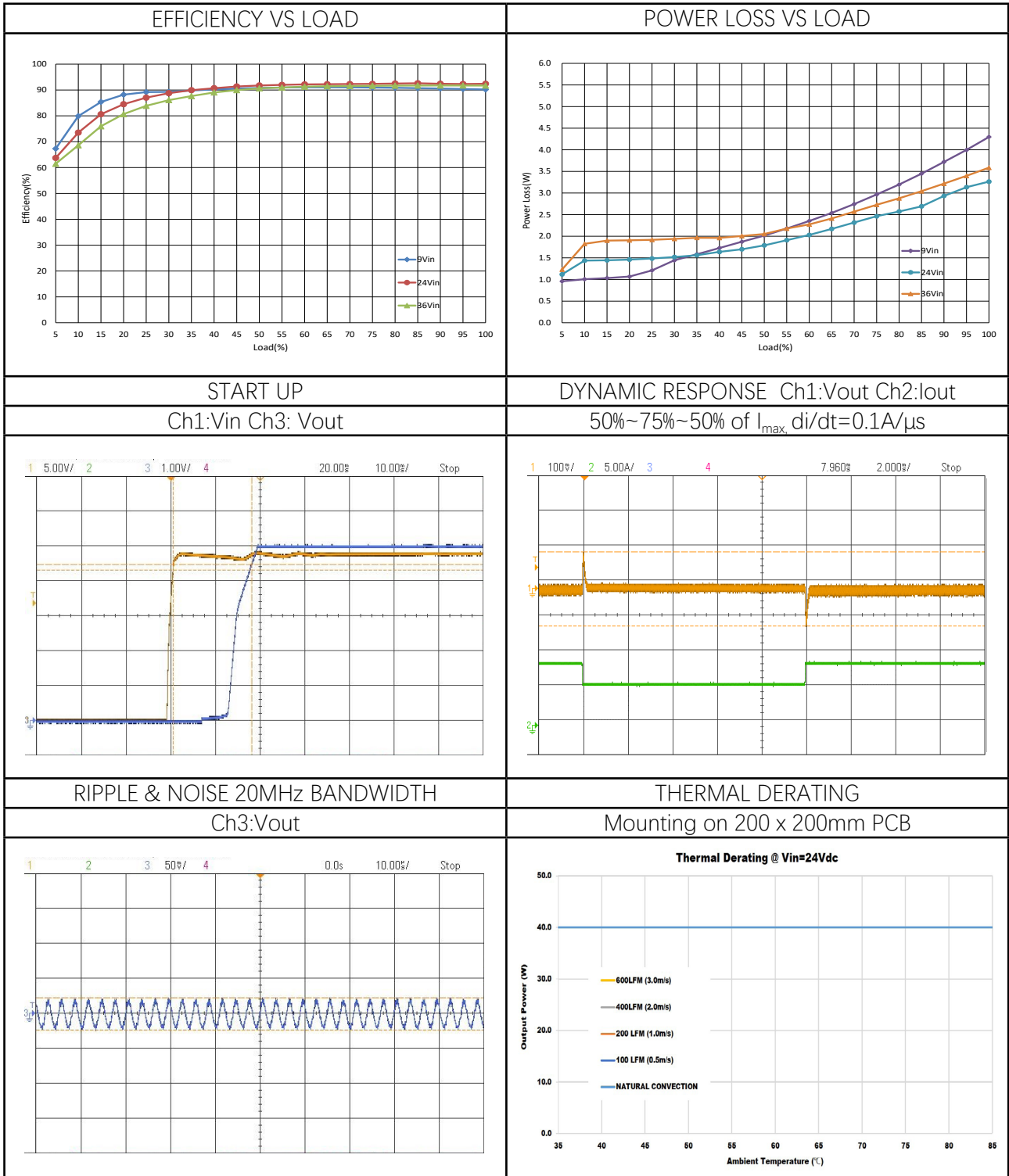
Output Specifications

Parameters	Conditions	Min.	Typ.	Max.	Units
Output Voltage Setpoint	Nom.line, 50% load	4.95	5	5.05	VDC
Vout Accuracy		-1		+1	%
Line Regulation	Vin from min. line to max. line, 50% load	-0.2		+0.2	%
Load Regulation	From min. load to full load, Vin=nom.line	-0.5		+0.5	%
Temperature Coefficient	From -40°C to 85°C			0.02	% of Vout /°C
Total Regulation		-3		+3	%
Over Current Protection	Hiccup, auto-recover	110		160	%
Over Voltage Protection	Hiccup, auto-recover	115		140	%
Output Short Protection	Hiccup, auto-recover				
Ripple & Noise Max. ^①				100	mV Pk-Pk
Dynamic Load Peak Deviation ^②		-5		+5	%Vout
Dynamic Load Response	within 10% band of Vout deviation			300	μ S
Capacitive Load		220		8800	μ F
Minimum Load	No minimum load required				

Notes

- ① Ripple & noise is tested with certain filter parameters, please see output ripple & noise in technical notes on page 16 for more details.
- ② Load is set from 50%-75%-50% of full load, di/dt=0.1A/ μ S, Cout=320 μ F.

Performance Data(5 Vout Model)



Performance Data (12 Vout Model)

Input Specifications

Parameters	Conditions	Min.	Typ.	Max.	Units
Input Reflected Ripple Current	With filtering		100		mA pk-pk
Input Current @ No Load			40	100	mA
Input Current @ Min. Line			4.5	7	A
Power Loss @ No Load				2	W
Recommended External Input Capacitance	1 μ F CBB and 100 μ F E-cap used in combination		100		μ F

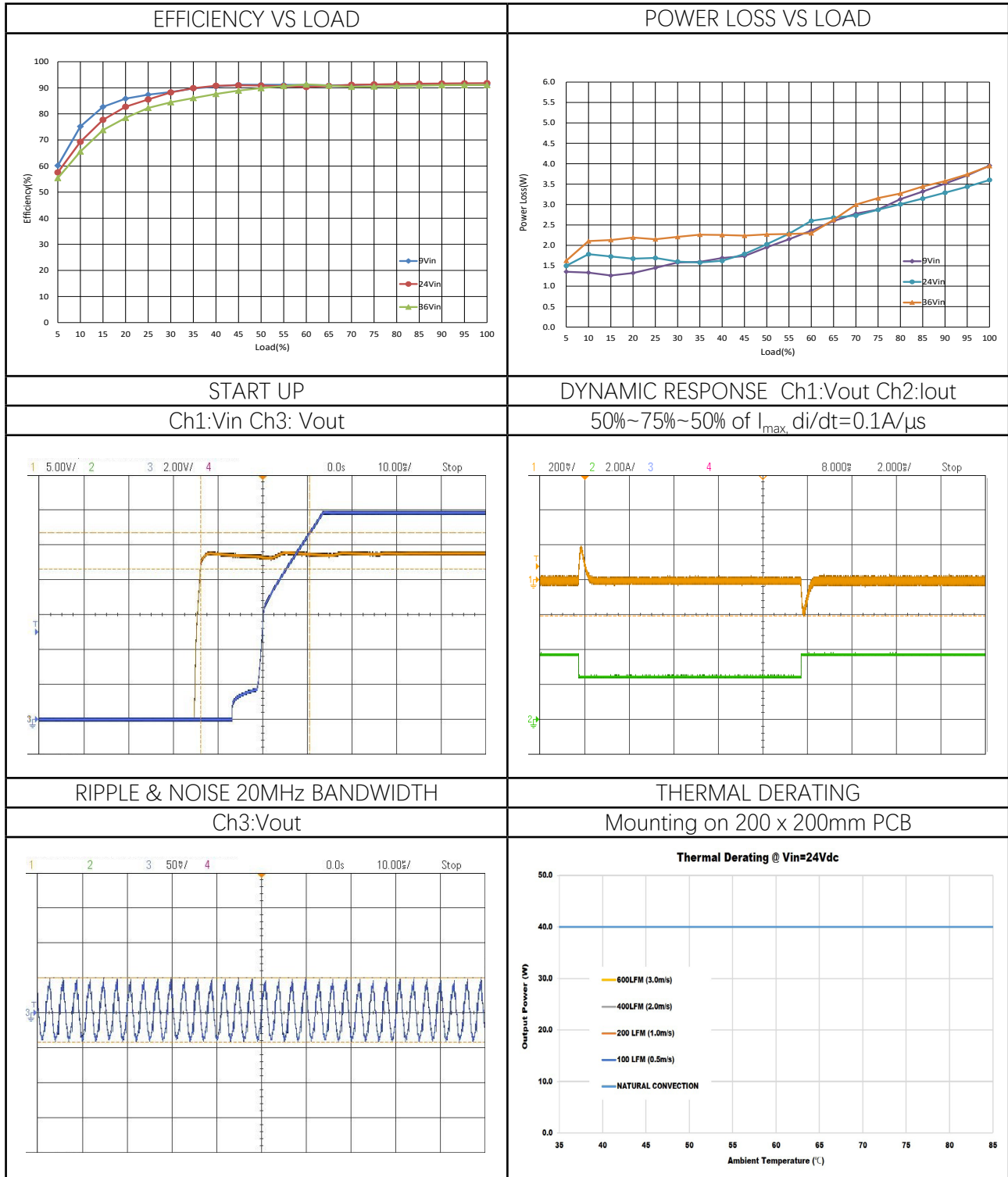
Output Specifications

Parameters	Conditions	Min.	Typ.	Max.	Units
Output Voltage Setpoint	Nom.line, 50% load	11.88	12	12.12	VDC
Vout Accuracy		-1		+1	%
Line Regulation	Vin from min. line to max. line, 50% load	-0.2		+0.2	%
Load Regulation	From min. load to full load, Vin=nom.line	-0.5		+0.5	%
Temperature Coefficient	From -40°C to 85°C			0.02	% of Vout /°C
Total Regulation		-3		+3	%
Over Current Protection	Hiccup, auto-recover	110		160	%
Over Voltage Protection	Hiccup, auto-recover	115		140	%
Output Short Protection	Hiccup, auto-recover				
Ripple & Noise Max. ^①				150	mV Pk-Pk
Dynamic Load Peak Deviation ^②		-5		+5	%Vout
Dynamic Load Response	within 10% band of Vout deviation			400	μ S
Capacitive Load		220		3300	μ F
Minimum Load	No minimum load required				

Notes

- ① Ripple & noise is tested with certain filter parameters, please see output ripple & noise in technical notes on page 16 for more details.
- ② Load is set from 50%-75%-50% of full load, di/dt=0.1A/ μ S, Cout=320 μ F.

Performance Data(12 Vout Model)



Performance Data (15 Vout Model)

Input Specifications

Parameters	Conditions	Min.	Typ.	Max.	Units
Input Reflected Ripple Current	With filtering		100		mA pk-pk
Input Current @ No Load			40	100	mA
Input Current @ Min. Line			4.5	7	A
Power Loss @ No Load				2	W
Recommended External Input Capacitance	1 μ F CBB and 100 μ F E-cap used in combination		100		μ F

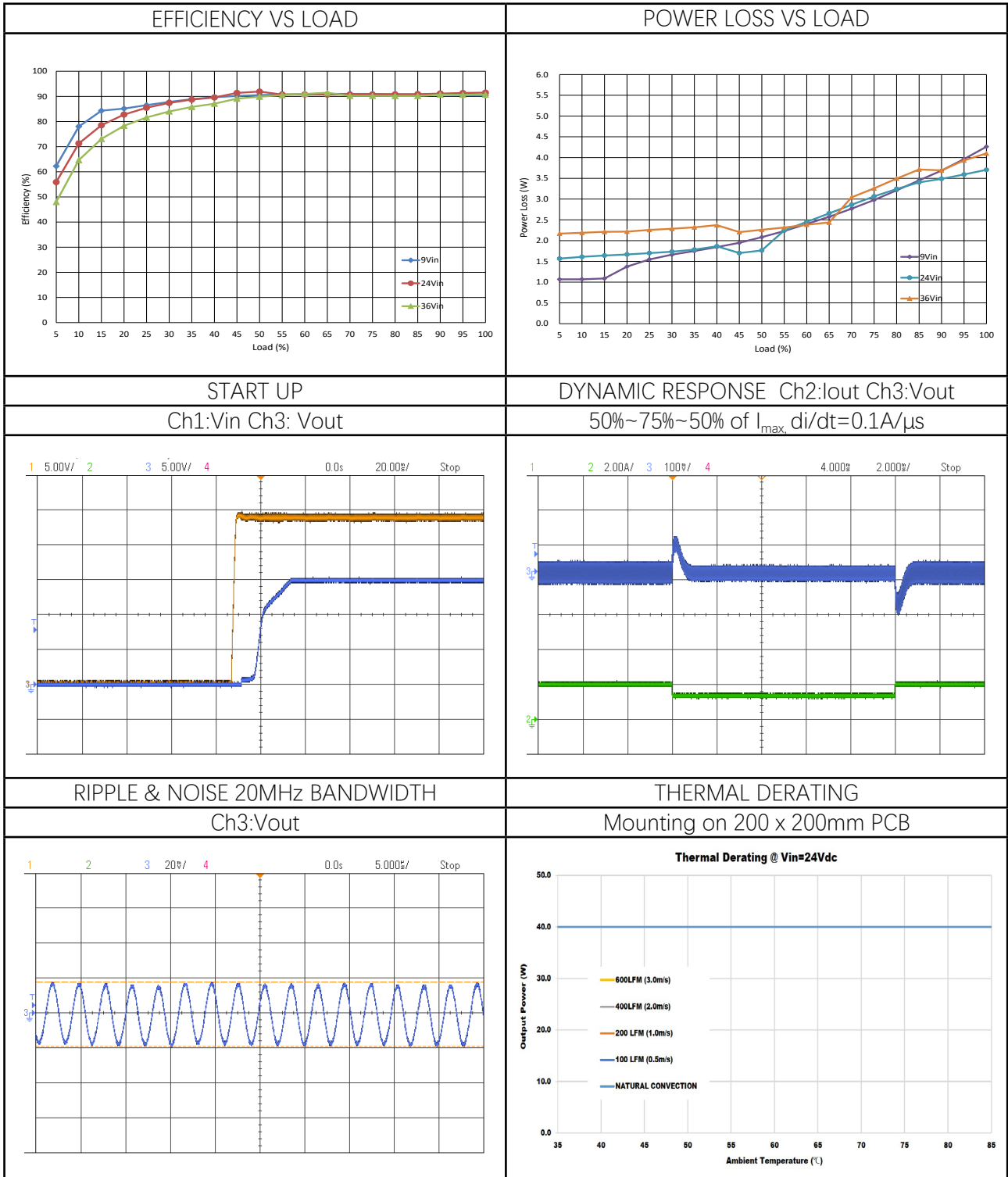
Output Specifications

Parameters	Conditions	Min.	Typ.	Max.	Units
Output Voltage Setpoint	Nom.line, 50% load	14.85	15	15.15	VDC
Vout Accuracy		-1		+1	%
Line Regulation	Vin from min. line to max. line, 50% load	-0.2		+0.2	%
Load Regulation	From min. load to full load, Vin=nom.line	-0.5		+0.5	%
Temperature Coefficient	From -40°C to 85°C			0.02	% of Vout /°C
Total Regulation		-3		+3	%
Over Current Protection	Hiccup, auto-recover	110		160	%
Over Voltage Protection	Hiccup, auto-recover	115		140	%
Output Short Protection	Hiccup, auto-recover				
Ripple & Noise Max. ^①				150	mV Pk-Pk
Dynamic Load Peak Deviation ^②		-5		+5	%Vout
Dynamic Load Response	within 10% band of Vout deviation			400	μ S
Capacitive Load		220		2600	μ F
Minimum Load	No minimum load required				

Notes

- ① Ripple & noise is tested with certain filter parameters, please see output ripple & noise in technical notes on page 16 for more details.
- ② Load is set from 50%-75%-50% of full load, di/dt=0.1A/ μ S, Cout=470 μ F.

Performance Data(15 Vout Model)



Performance Data (24 Vout Model)

Input Specifications

Parameters	Conditions	Min.	Typ.	Max.	Units
Input Reflected Ripple Current	With filtering		100		mA pk-pk
Input Current @ No Load			40	100	mA
Input Current @ Min. Line			4.5	7	A
Power Loss @ No Load				2	W
Recommended External Input Capacitance	1 μ F CBB and 100 μ F E-cap used in combination		100		μ F

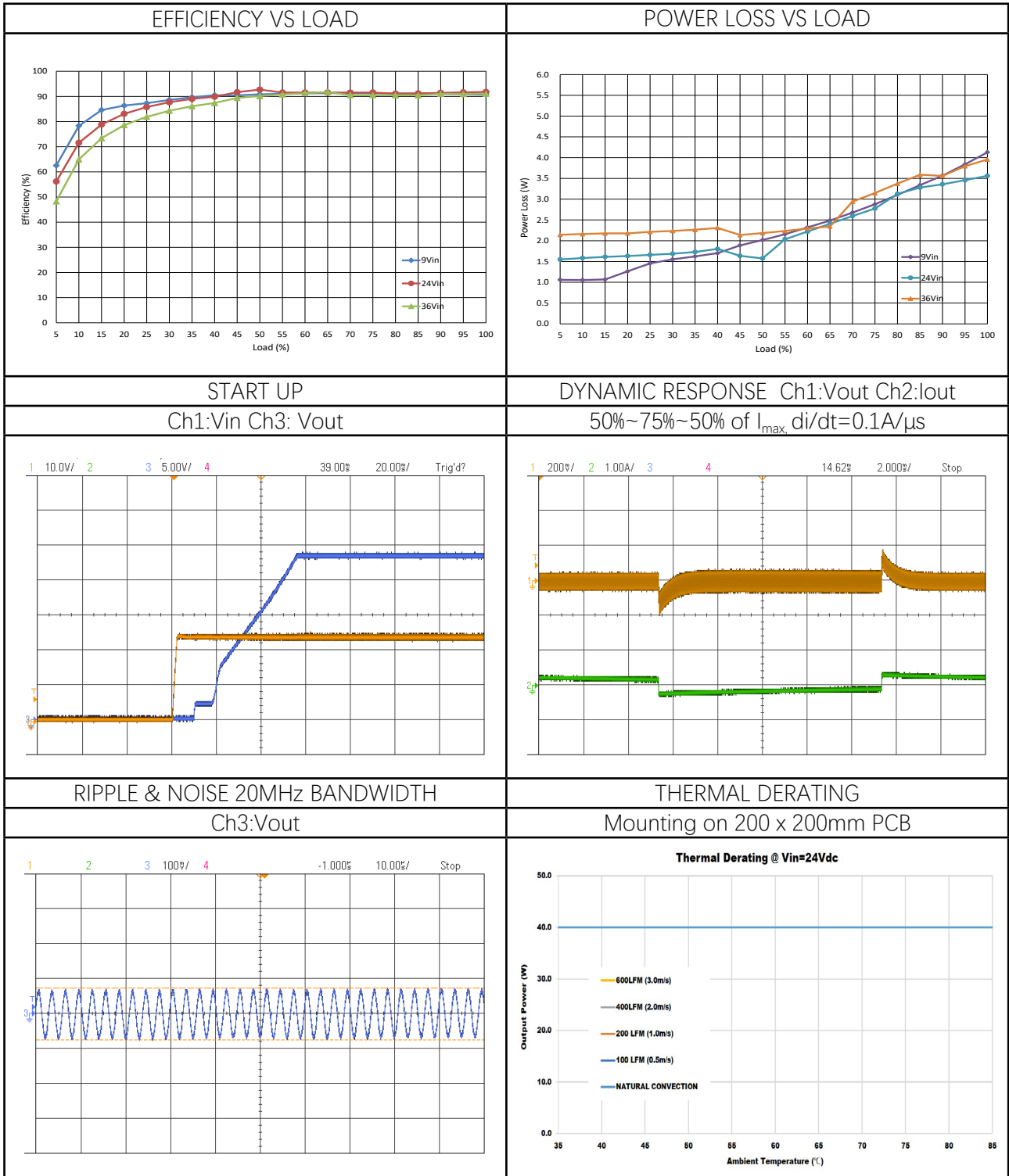
Output Specifications

Parameters	Conditions	Min.	Typ.	Max.	Units
Output Voltage Setpoint	Nom.line, 50% load	23.76	24	24.24	VDC
Vout Accuracy		-1		+1	%
Line Regulation	Vin from min. line to max. line, 50% load	-0.2		+0.2	%
Load Regulation	From min. load to full load, Vin=nom.line	-0.5		+0.5	%
Temperature Coefficient	From -40°C to 85°C			0.02	% of Vout /°C
Total Regulation		-3		+3	%
Over Current Protection	Hiccup, auto-recover	110		160	%
Over Voltage Protection	Hiccup, auto-recover	115		140	%
Output Short Protection	Hiccup, auto-recover				
Ripple & Noise Max. ^①				240	mV Pk-Pk
Dynamic Load Peak Deviation ^②		-5		+5	%Vout
Dynamic Load Response	within 10% band of Vout deviation			400	μ S
Capacitive Load		220		1300	μ F
Minimum Load	No minimum load required				

Notes

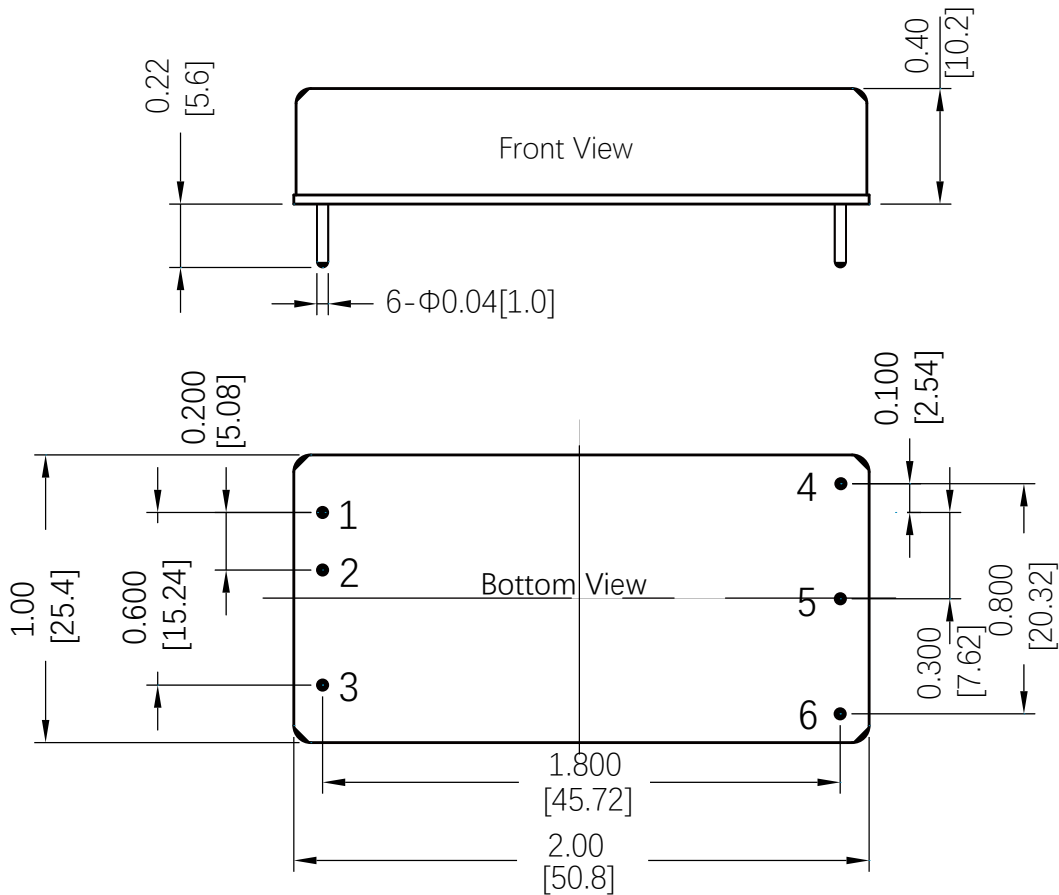
- ① Ripple & noise is tested with certain filter parameters, please see output ripple & noise in technical notes on page 16 for more details.
- ② Load is set from 50%-75%-50% of full load, di/dt=0.1A/ μ S, Cout=470 μ F.

Performance Data(24 Vout Model)



Mechanical Specifications

DNC40W24 SERIES: DIP TYPE



PIN:

PIN1~PIN6: $\Phi 0.04 \pm 0.004$ (1.02 ± 0.10)

Material: Copper alloy

Finish: Gold 3 ~ $5\mu\text{m}$ (min.) over nickel $50\mu\text{m}$ (Min.)

Tolerance:

X.XX = ± 0.02 (0.5)

X.XXX = ± 0.010 (0.25)

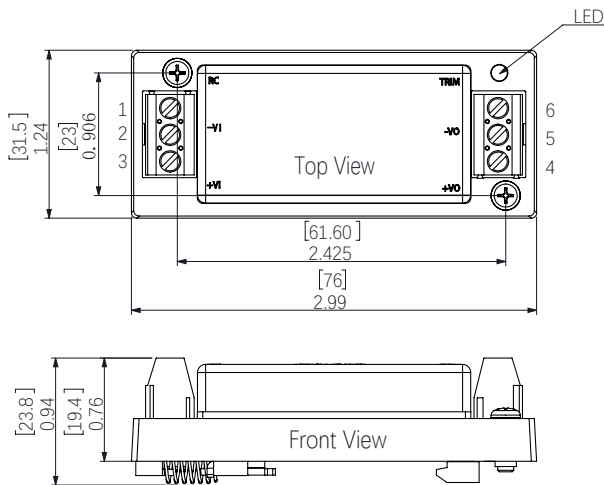
Dimensions are in inches [mm]

Weight: ~50g.

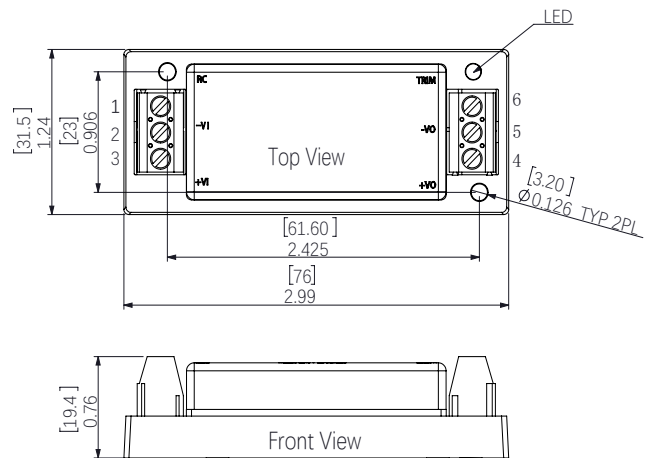
PIN CONNECTIONS	
Single Output	
Pin	Function
1	+Vi
2	-Vi
3	RC
4	+Vo
5	-Vo
6	Trim

Mechanical Specifications

DNC40W24 SERIES: DIN-RAIL TYPE



DNC40W24 SERIES: WALL MOUNT TYPE



Hole screw locked torque: 0.4N·m Max
Terminal screw locked torque: 0.25N·m Max

Tolerance:
X.XX=±0.02 (0.5)
X.XXX= ±0.010 (0.25)

Dimensions are in inches [mm]

Weight:
Din-rail Type: ~100g
Wall Mount Type: ~75g.

PIN CONNECTIONS

Pin	Function
1	RC
2	-Vi
3	+Vi
4	+Vo
5	-Vo
6	TRIM

Technical Notes

INPUT FUSING

Certain applications may require fuse at the inputs of power conversion components. Fuses should also be used when there is possibility of sustained input voltage reversal which is not current limited. The DNC40W24 modules are not internally fused. We strongly recommend a slow-blown fuse to be used in the ungrounded input supply line. For safety agency approvals, the installer must install the converter in compliance with the end user safety standard.

TYPICAL APPLICATION CONNECTION

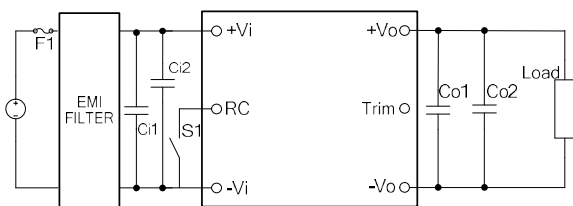


Figure 1: Typical Application Connection

In order to prevent the input line from causing the input oscillation, it is recommended to add the input capacitor close to the input of the module. Similarly, the output capacitor is added to the output of the module. Specific recommended parameters: input capacitance $C_{i1}=47\sim 100\mu\text{F}$ electrolytic capacitor. For output Capacitance, recommended value is $100\mu\text{F}/\text{A}$ (The current here refers to the output current).

REFLECTED RIPPLE CURRENT

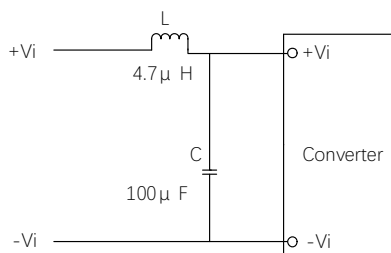


Figure 2: Reflected Ripple Current

Add LC filter at the front of the power module to reduce the interference of reflected ripple current

on the DC bus, recommended value of L and C with appropriate current and voltage rating as below: $L=4.7\mu\text{H}$; $C=100\mu\text{F}$.

REMOTE CONTROL FUNCTION

Module Power Remote Control or called ON/OFF pin is for the user to enable or disable the output. Control use high and low level control, there are two general control logic, positive logic or negative logic control. Recommend to use optocoupler to control ON/OFF Pin as below.

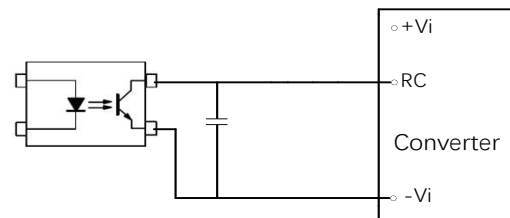


Figure 3: Remote Control

Remote Control Pin can be connected in parallel for multiple converters which with the same Remote Control characters. However, when several converters share the same remote control circuits, the total sink and source current must be taken into consideration, and make sure that the optocoupler has enough drive capability.

To reduce external PCB trace interference, it is recommended to add high frequency bypass capacitor between RC pin and -Vi, recommended capacitor value is 100-1000pF.

OUTPUT RIPPLE & NOISE

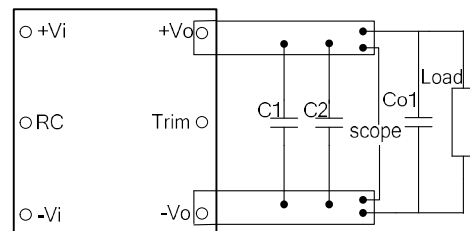


Figure 4: Output Ripple & Noise

These DNC40W24 modules' output ripple and

Technical Notes

noise is measured at the rated input voltage and output current, along with 10uF tantalum capacitor and 0.1uF MLCC used in parallel with appropriate voltage ratings and placed as C1,C2 shown in the figure above. The scope's bandwidth is set to 20MHz.

External output capacitors are required to reduce the ripple & noise. The output capacitors should be low ESR and appropriate frequency response with appropriate voltage ratings, and must be located as close to the converters as possible, also PCB layout must be taken into consideration.

INPUT UNDERVOLTAGE SHUTDOWN AND START-UP THRESHOLD

Once operating, module will not turn off until the input voltage drops below the Undervoltage Shutdown threshold. Subsequent re-start will not occur until the input is brought back up to the Start-Up Threshold. This built in hysteresis prevents any unstable on/off situations from occurring at a single input voltage.

CURRENT LIMITING

The maximum current limit remains constant as the output voltage drops. However, once the impedance of the short across the output is small enough to make the output voltage drop below the specified Output Current Limit Shutdown Voltage, the converter turns off.

The converter then enters into "hiccup mode" where it repeatedly turns on and off until the short circuit condition is removed. This prevents excessive heating of the converter or the load board.

SHORT CIRCUIT CONDITION

When the converter is in current-limit mode, the output voltage will drop as the output current demand increases and then the converter will be shut down. If the short-circuit condition persists, another shutdown cycle will be initiated. This on/off cycling is referred to as "hiccup" mode. The

hiccup cycling reduces the average output current, thereby preventing internal temperatures from rising to excessive levels. The module is capable of enduring an indefinite short circuit output condition.

OUTPUT OVERVOLTAGE PROTECTION

DNC40W24 output voltages are monitored for an overvoltage condition via magnetic feedback. The signal is coupled to the primary side and if the output voltage rises to a level which could be damaging to the load, the sensing circuitry will power down the PWM controller causing the output voltages to decrease. Following a time-out period the PWM will restart, causing the output voltages to ramp to their appropriate values. If the fault condition persists, and the output voltages again climb to excessive levels, the overvoltage circuitry will initiate another shutdown cycle.

THERMAL SHUTDOWN

These DNC40W24 converters are equipped with thermal-shutdown circuitry. If environmental conditions cause the internal temperature of the DC-DC converter to rise above the designed operating temperature, a precision temperature sensor will power down the unit. When the internal temperature decreases below the threshold of the temperature sensor, the unit will auto restart.

TRIMMING OUTPUT VOLTAGE

The DNC40W24 converters have a trim capability that allows users to adjust the output voltages. Output voltage can be trimmed up or down by a trim pin by connecting a single fixed resistor between Trim Pin and +Vo or -Vo, the output voltage can be increased or decreased depending on its connection. The maximum output voltage adjustment range is -10% to +10%. If the trim function is not used, keep TRIM pin floating.

Trim up:

Increase the output voltage by connecting an

Technical Notes

appropriate value resistor between Trim Pin and +Vo Pin. Show as below:

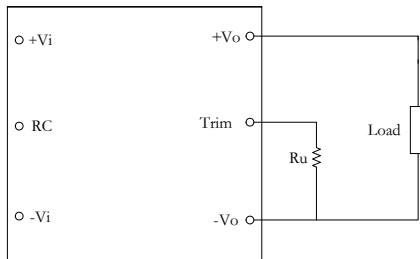


Figure 5: Trim Up Connection

Please follow up the Trim Up formula to calculate the resistor value according to the desired output voltage.

$$3.3V: R_u = (8.26 \times \frac{0.45}{\Delta} - 30.1)(k\Omega)$$

$$5V: R_u = (22.1 \times \frac{0.45}{\Delta} - 90.9)(k\Omega)$$

$$12V: R_u = (46.5 \times \frac{0.516}{\Delta} - 200)(k\Omega)$$

$$15V: R_u = (24.625 \times \frac{0.505}{\Delta} - 100)(k\Omega)$$

$$24V: R_u = (46.5 \times \frac{0.516}{\Delta} - 200)(k\Omega)$$

" Δ " is the change of output voltage, such as: 5V output is raised to 5.5V,
 $\Delta = (5.5-5) / 5 * 100\% = 10\%$.

Trim down:

Decrease the output voltage by connecting an appropriate value resistor between Trim Pin and -Vo Pin. Show as below:

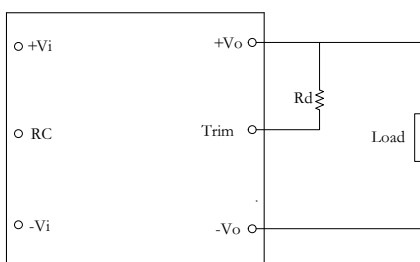


Figure 6: Trim Down Connection

Please follow up the Trim Down formula to calculate the resistor value according to the desired output voltage.

$$3.3V: R_d = (8.26 \times \frac{0.55 - \Delta}{\Delta} - 30.1)(k\Omega)$$

$$5V: R_d = (22.1 \times \frac{0.55 - \Delta}{\Delta} - 90.9)(k\Omega)$$

$$12V: R_d = (49.7 \times \frac{0.516 - \Delta}{\Delta} - 200)(k\Omega)$$

$$15V: R_d = (25.46 \times \frac{0.505 - \Delta}{\Delta} - 100)(k\Omega)$$

$$24V: R_d = (49.7 \times \frac{0.516 - \Delta}{\Delta} - 200)(k\Omega)$$

" Δ " is the change in output voltage. such as: 5V output is reduced to 4.5V,
 $\Delta = (5-4.5) / 5 * 100\% = 10\%$.

THERMAL CONSIDERATIONS

The maximum operating case temperature, Tcase is 115 °C. As long as the user's thermal environment keeps Tcase < 115 °C, the converter can deliver its full rated power. A power derating curve can be calculated for the converter. It is only necessary to determine the thermal resistance, RTHcase of the converter case to ambient air for a given airflow. The following formula can be used to determine the maximum power the converter can dissipate for a given thermal condition if its case is to be no higher than 115 °C.

$$P_{diss} = \frac{115 - T_{amb}}{R_{THcase}}$$

This value of power dissipation can then be used in conjunction with the Power Loss vs Load curve to determine the maximum load power that the converter can deliver in the given thermal condition. For convenience, power derating curves for an encased converter are provided for each output voltage module.

THERMAL CALCULATION

The thermal impedance RTHcase of the converters between case and ambient air for a given airflow is provided as follows:

Technical Notes

Airflow (LFM)	RTH (°C /W)
Natural Convection	6.5
100LFM	4.5
200LFM	4.1
400LFM	3.2
600LFM	2.7

*Note: Thermal impedance is tested with the converter soldered on FR-4 (200mm*200mm) PCB.

$$P_{diss} = \frac{T_{case} - T_{amb}}{RTH_{case}}$$

$$P_{diss} = P_{in} - P_{out} = \frac{1 - \eta}{\eta} \times P_{out}$$

Where:

T_{case}: Case Temperature (°C)

T_{amb}: Environment Temperature (°C)

P_{diss}: Converter internal power losses (W)

P_{in}: Input Power (W)

P_{out}: Output Power (W)

η: Efficiency @ given operating conditions (%)

RTH_{case}: Converter case to environment thermal impedance (°C /W)

For Example:

Take the DNC40W24S05 with 50% load, what's the maximum ambient operating temperature can withstand?

η=91.7% @24Vin & 50% Load (Refer the converter's efficiency vs load curve)

Prated=40W

P_{out}=40 * 50% = 20W

P_{diss}=(1-η)/η*P_{out}=(1-91.7%)/(91.7%)*20=1.81W

Where:

RTH_{case} is 6.5°C /W under natural convection.

T_{ambmax}=T_{case} - RTH_{case} * P_{out}=115 - 6.5*1.81=103.2°C

Where:

RTH_{case} is 4.5°C /W under 100LFM airflow.

T_{ambmax}=T_{case} - RTH_{case} * P_{out}=115 - 4.5*1.81=106.9°C

The converter can deliver **20W** under **103.2 °C** ambient temperature with natural convection conditions or under **106.9°C** ambient temperature with **100LFM** airflow.

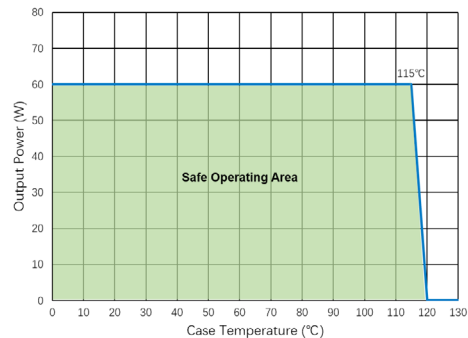


Figure 7: Thermal Derating

The DNC40W24 products have been designed for full power operation in demanding thermal environments. However, thermal performance improvement can be achieved by designing a printed circuit board to properly sink heat away from the converter through its pins. Ensure a correctly formed solder joint at each pin to ensure maximum heat conduction from pin to board. The board itself should also have as many layers and as high of copper weight as is practical for the application. Large ground and power planes are best as the most heat will be conducted through the power pins of the converter on both input and output sides. The heat must also have a path to conduct from the copper planes of the board to the outside environment.

For reference, boards used in Density Power thermal testing are 6 layers. FR-4 (200mm*200mm) PCB.



This product is subject to the following operating requirements and the Life and Safety Critical Application Sales Policy:

Refer to: <http://www.densitypower.com>

Density Power LLC makes no representation that the use of its products in the circuits described herein, or the use of other technical information contained herein, will not infringe upon existing or future patent rights. The descriptions contained herein do not imply the granting of licenses to make, use, or sell equipment constructed in accordance therewith. Specifications are subject to change without prior notice.

Density Power LLC.

Queens, New York City, New York, U.S.A